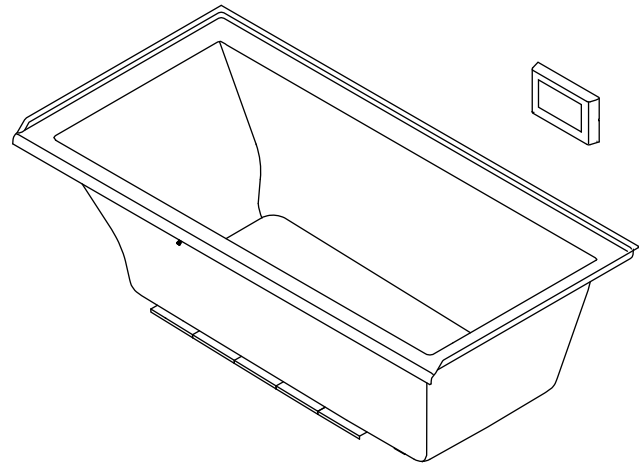


### Features

- Acrylic
- Intuitive high-clarity color touch-screen user interface
- 6 transducers and control amplifier create 3-D surround sound experience
- Integral 3-sided tiling flange for alcove installation
- 15-1/8" (384 mm) deep bathing well
- Available with chromatherapy [-VBC]
- Chromatherapy models are equipped with 4 lights
- User interface mounting plate is included in color CP
- 60" (1524 mm) x 30" (762 mm) x 19" (483 mm)

### 5' VIBRACOUSTIC BATH K-1167-LVB ALSO K-1167-LVBC, K-1167-RVB, K-1167-RVBC

ADA



### Codes/Standards Applicable

Specified model meets or exceeds the following:

- ADA
- ICC/ANSI A117.1
- ASME A112.19.7
- CSA B45.5/IAPMO Z124
- UL 1795
- CAN/CSA C22.2 No. 218.2

### Colors/Finishes

- 0: White
- Other: Refer to Price Book for additional colors/finishes

### Specified Model

Model	Description	Colors/Finishes	
K-1167-LVB	5' VibrAcoustic bath – without chromatherapy, left drain	<input type="checkbox"/> 0	<input type="checkbox"/> Other _____
K-1167-LVBC	5' VibrAcoustic bath – with chromatherapy, left drain	<input type="checkbox"/> 0	<input type="checkbox"/> Other _____
K-1167-RVB	5' VibrAcoustic bath – without chromatherapy, right drain	<input type="checkbox"/> 0	<input type="checkbox"/> Other _____
K-1167-RVBC	5' VibrAcoustic bath – with chromatherapy, right drain (shown)	<input type="checkbox"/> 0	<input type="checkbox"/> Other _____

#### Required Accessories

K-7271	Clearflo slotted overflow brass bath drain <b>OR</b>	<input type="checkbox"/> CP	<input type="checkbox"/> Other _____
K-7272	Clearflo slotted overflow bath drain – PVC pipe	<input type="checkbox"/> CP	<input type="checkbox"/> Other _____

#### Optional Accessories

K-1491	Pillow	<input type="checkbox"/> 0	<input type="checkbox"/> Other _____
K-1601	Footstop	<input type="checkbox"/> 0	<input type="checkbox"/> Other _____
1172315	Vibracoustic interface mounting plate	<input type="checkbox"/> BN	

### Product Specification

The acrylic vibracoustic bath shall be 60" (1524 mm) in length, 30" (762 mm) in width, and 19" (483 mm) in height. Bath shall feature intuitive high-clarity color touch-screen user interface and 6 transducers and control amplifier, which create 3-D surround sound experience. Bath shall be available with chromatherapy [-VBC], which are equipped with 4 lights. Bath shall feature integral 3-sided tiling flange for alcove installation. Bath shall have a 15-1/8" (384 mm) deep bathing well. The user interface mounting plate shall be included in color CP. Bath shall be Kohler Model K-1167-\_\_\_\_-\_\_\_\_.

# UNDERScore®

## Technical Information

Fixture*:	
Bathing well:	
Basin area, bottom	42-7/16" (1078 mm) x 20" (508 mm)
Basin area, top	54-5/16" (1380 mm) x 24-1/4" (616 mm)
Weight	80 lbs (36.3 kg)
To overflow:	
Water depth	15-1/8" (384 mm)
Capacity	59.8 gal (226 L)
* Approximate measurements for comparison only.	

Amplifier/control:	Power per channel (rms) W	V	Hz
	15	120	50/60

## Required Electrical Service

Dedicated circuit required, protected with Class A Ground-Fault Circuit-Interrupter (GFCI) or Residual Current Device (RCD):

Amplifier/control	120 V, 15 A, 50/60 Hz
-------------------	-----------------------

## Installation Notes

Install this product according to the installation guide.

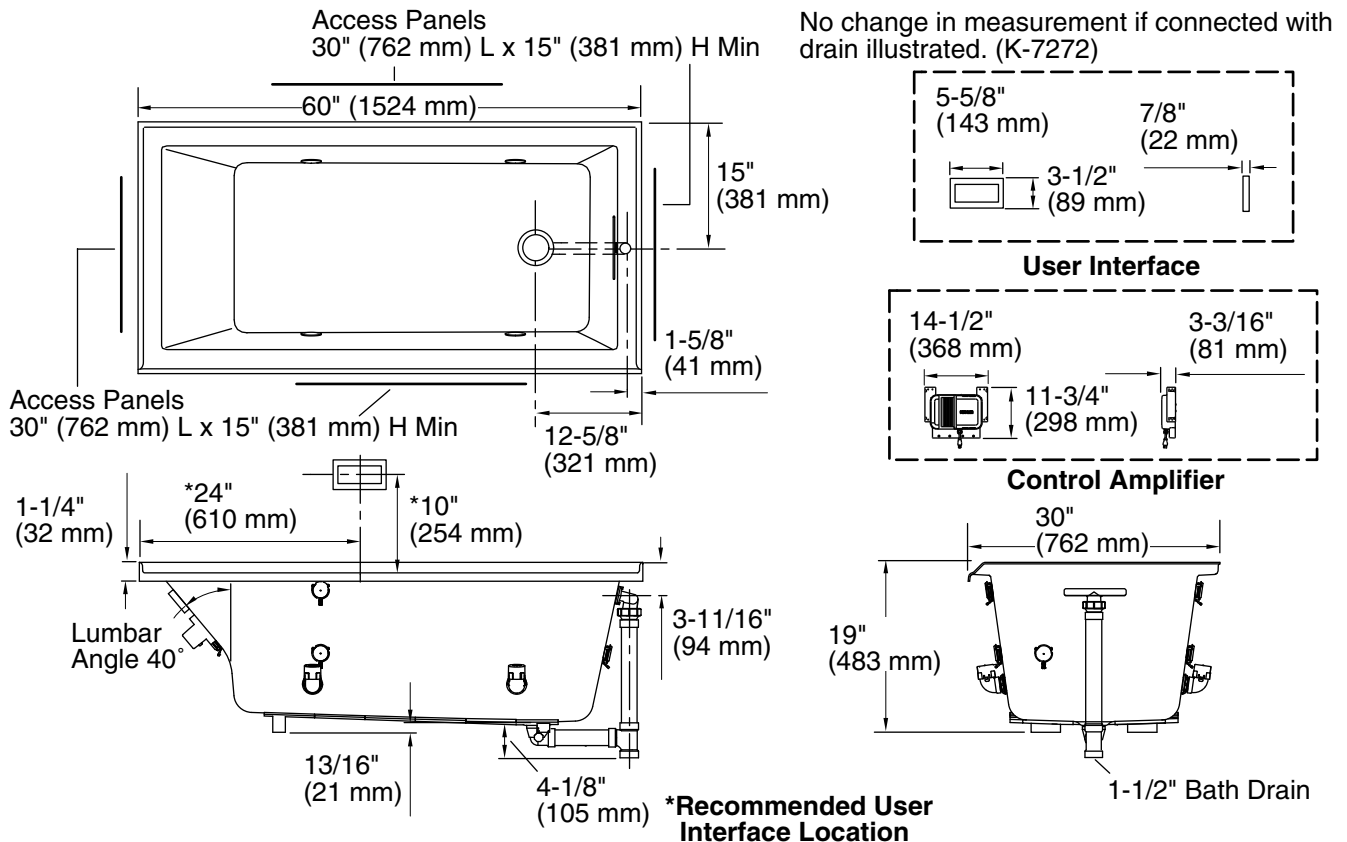
Will comply with **ADA** when installed per Section 607 Bathtubs of the Act.

Control amplifier fits 16" (406 mm) center studs. 25' (7.6 m) cables are included.

A grounded outlet within the wall framing must be within 24" (610 mm) of the planned control amplifier.

Four access panels are required for servicing the bath.

Floor support under bath must provide for a minimum of 50 lbs/square foot (242 kg/square meter) loading.



## Product Diagram